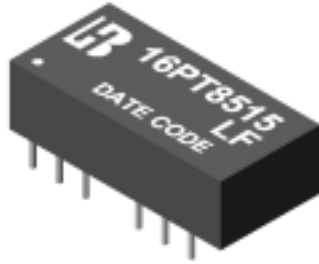




P/N:16PT8515 LF DATA SHEET

Feature



- Compliant with IEEE802.3u and ANSL X3.263 standards Including 350uH OCL with 8mA Bias.
- Lead free for external pins.
- Operating Temperature range: 0°C to +70°C.
- Storage temperature range: -25°C to +105°C.

Electrical Specifications @ 25°C

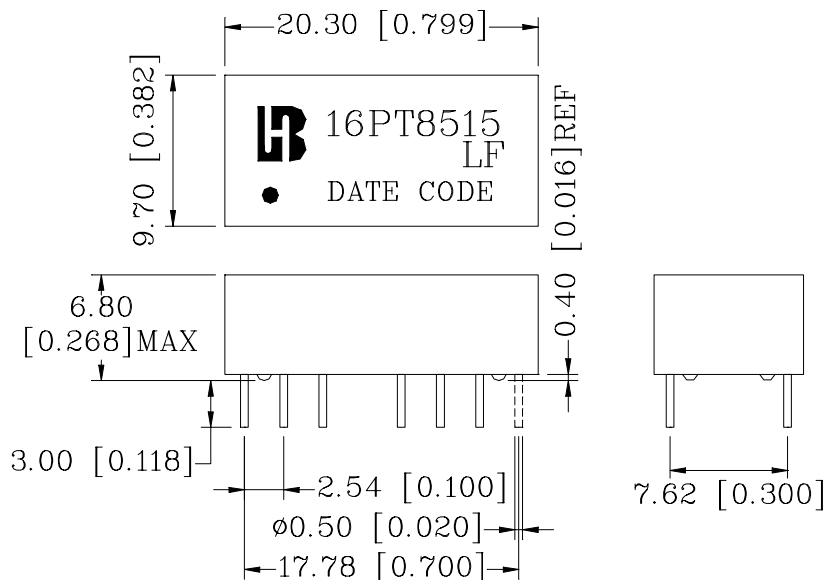
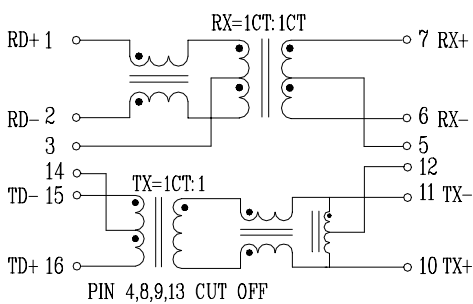
Part Number	Turns Ratio (±5%)		OCL (uH Min) @ 100KHz/0.1V with 8mA DC Bias	C _{W/W} (pF Max)	L.L. (uH Max)	Rise Time (10-90%) nS Typ	HI-POT (Vrms)
	TX	RX					
16PT8515 LF	1CT:1	1CT:1CT	350	28	0.6	2.5	1500

Continue

Part Number	Insertion Loss (dB Max)	Return Loss (dB Min)					Cross talk (dB Min)	DCMR (dB Min)
		0.3-100 MHz	30MHz	40MHz	50MHz	60MHz		
16PT8515 LF	-1.15	-16	-14	-13.5	-13	-12	-35	-30

Schematic

Mechanical



Units: mm[Inches] Tolerances: xx.x0±0.25[0.010]
0.xx±0.05[0.002]